

# TruFlange TF-4M SERIES

## Mechanical Flange Alignment



CanTorque Inc.  
[www.cantorque.com](http://www.cantorque.com)



# TF-4M Series

## Mechanical Flange Alignment Tool

The TF-4M is a mechanical flange alignment tool can produce a maximum reaction alignment force of 40kN (4T) when a torque of 68Nm (50.2ft.lb) is applied to the tool. The TF-4M is used to correct:

- Linear Misalignment (when the axis of the two flanges are not aligned).
- Rotational Misalignment (when the axis of the flanges are aligned but the boltholes are not).

The TF-4M Mechanical Flange Alignment tool offers:

- High durability
- High quality low maintenance design.
- Tool weight 8Kg (17.6lbs)
- No external anchor points or rigging required
- Can be used to prevent misalignment during flange joint maintenance
- 100% Load tested and certified
- Prevents gasket pinching during flange joint assembly
- Torque wrench provided for accurate tool loading
- Robust moulded case for easy transportation and storage
- Bearings rated to provide overload warning



Comfortable Handle Grip for easy handling



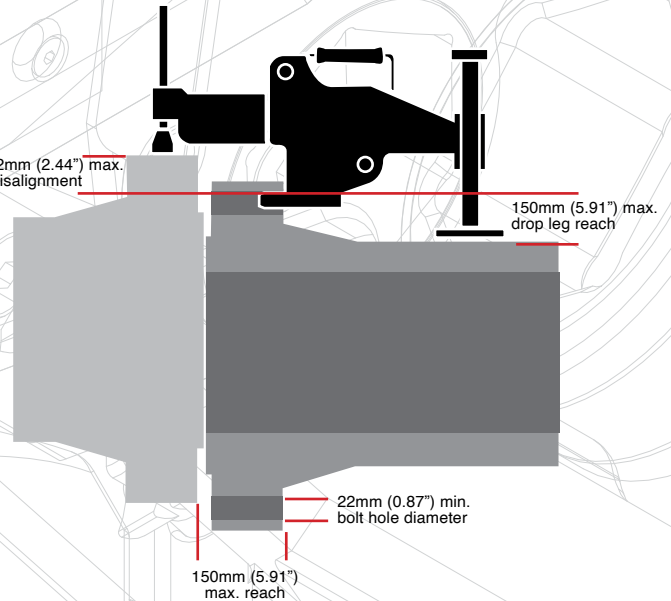
Actuator swivel to ensure secure contact on flange circumference

Hook pin diameter of just 22mm (0.87") gives large application range

Ratchet strap anchor point to secure tool to flange joint

62mm (2.44") max. misalignment

150mm (5.91") max. drop leg reach



22mm (0.87") min. bolt hole diameter

150mm (5.91") max. reach



### TF-4M TECHNICAL DATA

Kit weight:	12Kg (26.5lbs)
Kit Dimensions:	580mm x 340mm x 180mm (22.8" x 13.4" x 7.1")
Tool Weight:	8Kg (17.6lbs)
Tool Dimensions:	100mm x 285mm x 380mm (3.9" x 11.2" x 15.0")
Product Code:	TF-4M

### KIT CONTENTS

- 1 x TF-4M Tool
- 1 x Torque wrench
- 1 x Ratchet and Strap
- 1 x Instruction Manual
- 1 x Robust moulded carry case

